

HORIZONTAL COUNTERS
TAVOLI ORIZZONTALI

ECOSTORE CL h700
remote connections
Left side cooling unit

Type reference	Ref	Page	Description	Brand
H7FTN2R	a	3 to 14	Counter 2 compartments remote refrigerated	all
H7FTN3R	b	3 to 14	Counter 3 compartments remote refrigerated	all
H7FTN4R	c	3 to 14	Counter 4 compartments remote refrigerated	all

Index

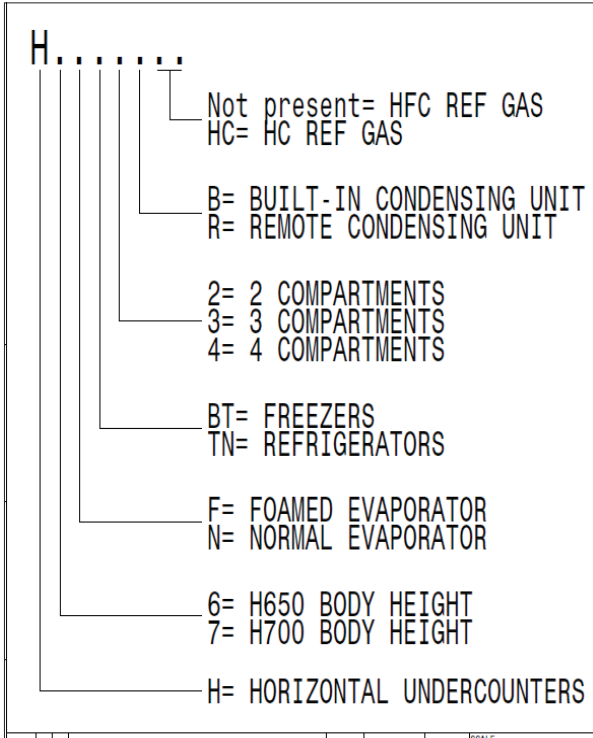
	Page
Identification Type Ref./Identificazione type Ref.	2
Body module/corpo armadio	3
Spare part list/Lista ricambi	4
Door and drawers/ Porte e cassetti	5,6,7
Spare part list/Lista ricambi	8
Top/Ripiano	9
Spare part list/Lista ricambi	10
Control panel/Pannello di controllo	11
Spare part list/Lista ricambi	12
Cooling unit Refrig. /Gruppo Refrigerato	13
Spare part list/Lista ricambi	14




...Bold= last change/Grassetto =ultima modifica

How to put in relation the “Type Ref.” reported on the data plate with the “Type reference” reported on the front page of the Spare Part Catalogue:

The “Type Ref.” represents a group of models/brands all with similar technical features, hence possible to be reported under the same scheme in terms of exploded views.

Find below an identification example: **H7NTN2BHC**



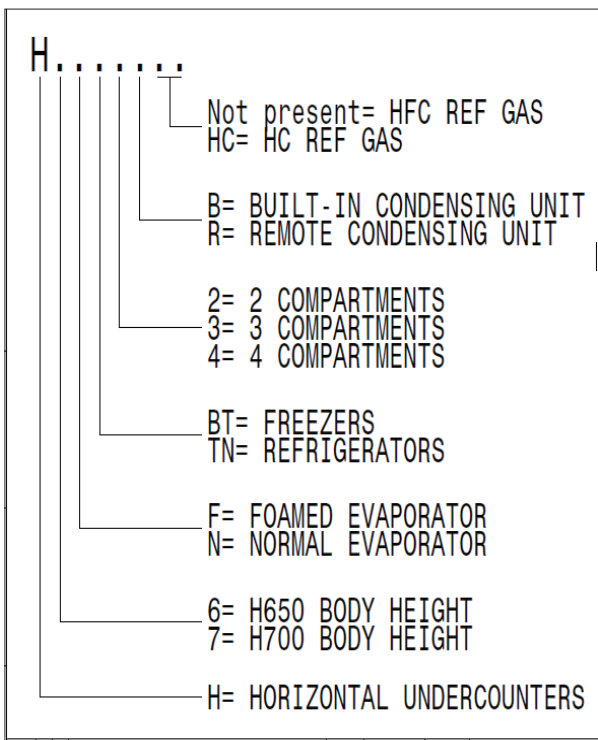
F. Mod. EH2H7AA	Comm. Mod. EH2H7AA	Type Ref. H7NTN2BHC	2017
PNC 9VTX 710000 00	Ser. No. 70810001	Cyclopentane	
W Tot. 0.25 kW	Volt 220-240 V	1 ~ 50 Hz	Total Current 1.9 A
Potenza Sbrinamento / Defrost Power	0.29 kW	Classe/Class 5	GWP 3 CO2-eq 0 t
Resistenza Evaporazione/Evaporation Heater El.	kW	Refrigerante / Refrigerant R290	0,07 kg.
Illuminazione / Lighting	W	Cap. 240	MADE IN ITALY
NF nominal Charge			
Rated Pressure	MPa		
IP21			
Electrolux Professional SpA - Viale Treviso, 15 - 33170 Pordenone (Italy)			

For the right spare code identification follow the steps:




1. type in the website the PNC reported on the data plate.
2. The website will automatically display this spare part catalogue.
3. The spare part code at this point is referenced through the “Type reference” as from the front page by the relevant “Ref”.

Come mettere in relazione il “Type Ref.” Riportato sulla targhetta caratteristica con il “Type reference” riportato sul frontespizio del catalogo ricambi:

Il “Type Ref.” Rappresenta un gruppo di modelli/marchi con simili caratteristiche tecniche, ossia possibili da rappresentare con il medesimo schema in termini di vista esplosa.

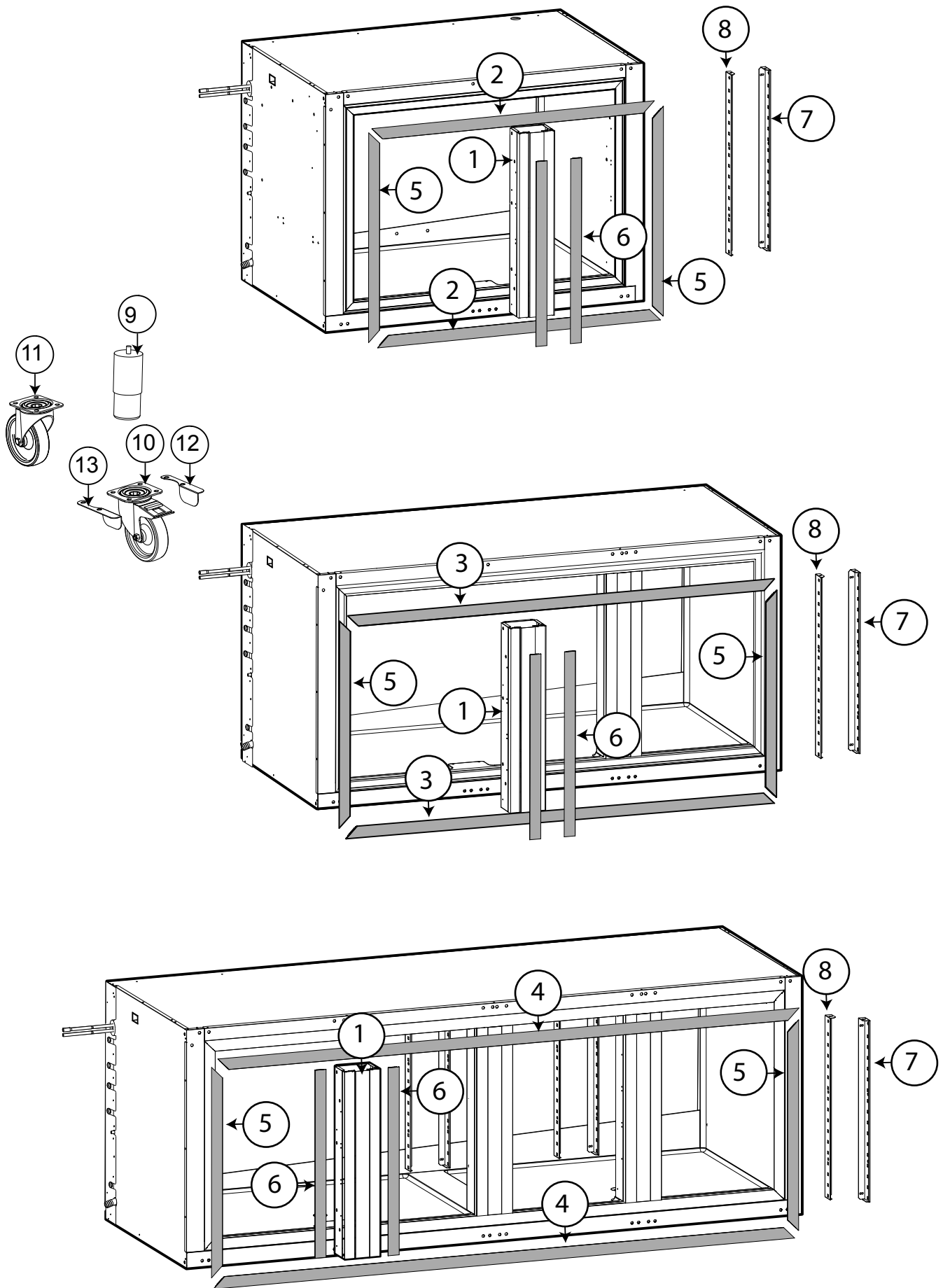


Qui di seguito un esempio di identificazione: **H7NTN2BHC**

F. Mod. EH2H7AA	Comm. Mod. EH2H7AA	Type Ref. H7NTN2BHC	2017
PNC 9VTX 710000 00	Ser. No. 70810001	Cyclopentane	
W Tot. 0.25 kW	Volt 220-240 V	1 ~ 50 Hz	Total Current 1.9 A
Potenza Sbrinamento / Defrost Power	0.29 kW	Classe/Class 5	GWP 3 CO2-eq 0 t
Resistenza Evaporazione/Evaporation Heater El.	kW	Refrigerante / Refrigerant R290	0,07 kg.
Illuminazione / Lighting	W	Cap. 240	MADE IN ITALY
NF nominal Charge			
Rated Pressure	MPa		
IP21			
Electrolux Professional SpA - Viale Treviso, 15 - 33170 Pordenone (Italy)			

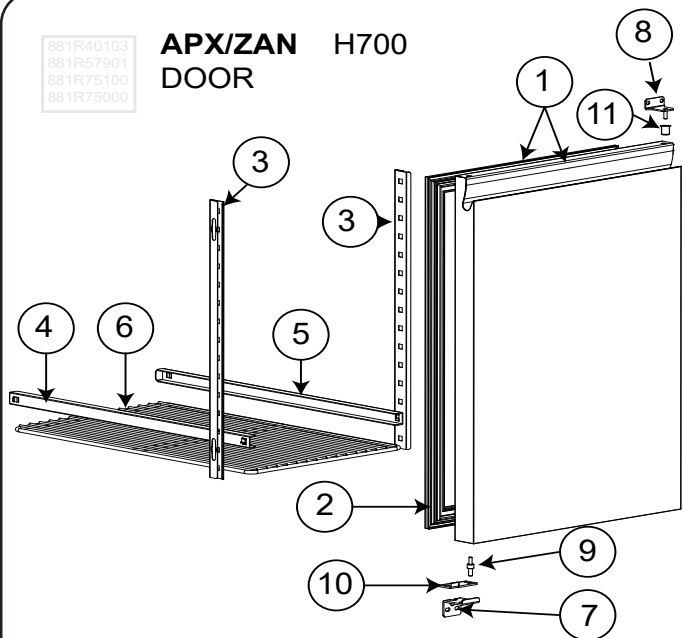
Per identificare il corretto codice ricambio procedere con:

1. Digitare nel website il PNC riportato sulla targhetta caratteristica.
2. Il website mostrerà automaticamente questo catalogo ricambi.
3. A questo punto, il codice ricambio è identificabile attraverso il “Type reference” come indicato nel frontespizio sotto la relativa voce “Ref”.



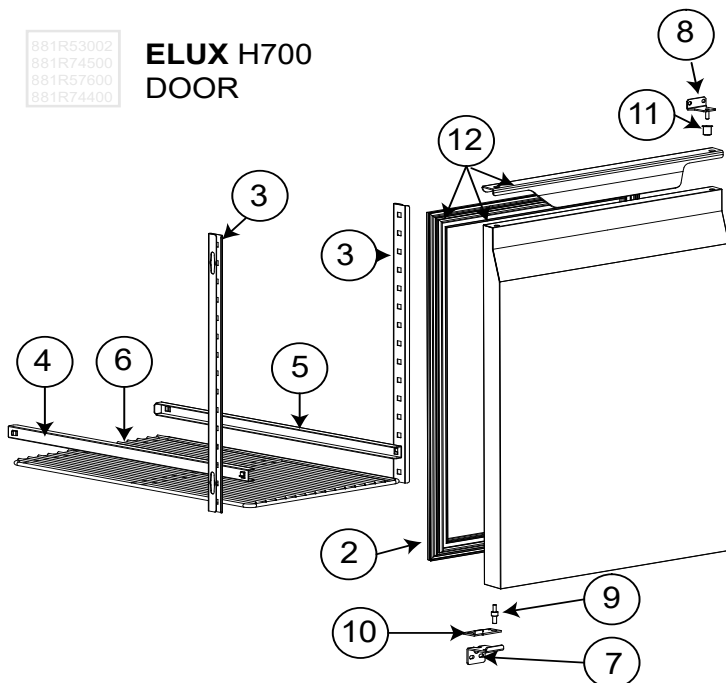
881R40103
881R57901
881R75100
881R75000

APX/ZAN H700 DOOR



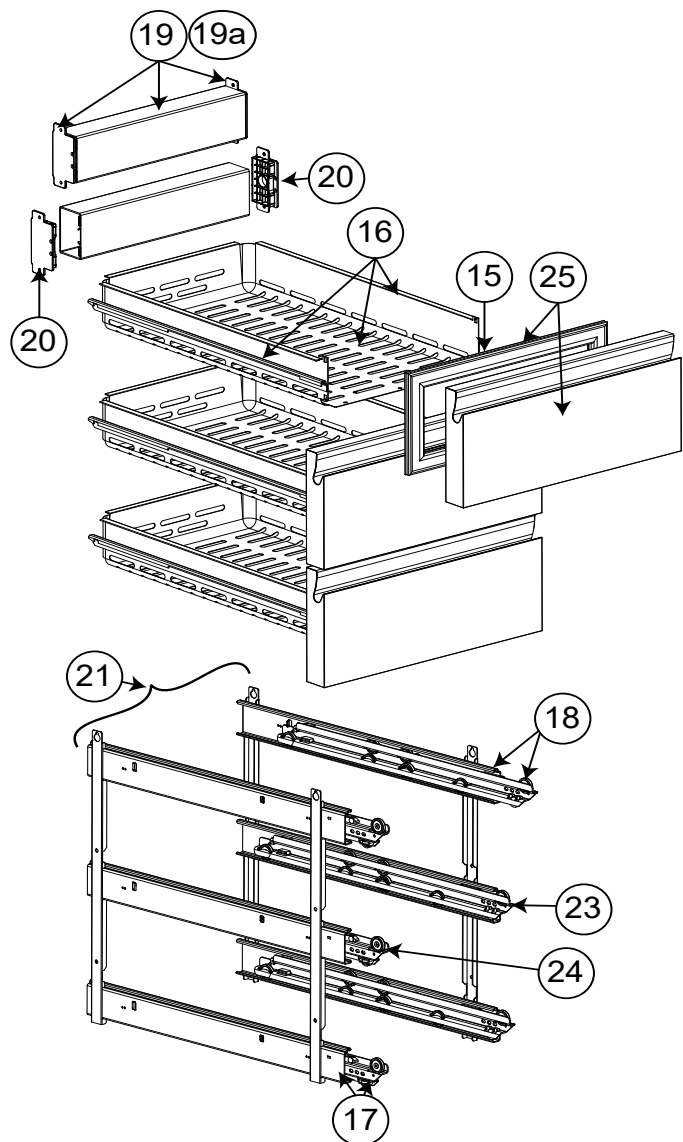
881R53002
881R74500
881R57600
881R74400

ELUX H700 DOOR



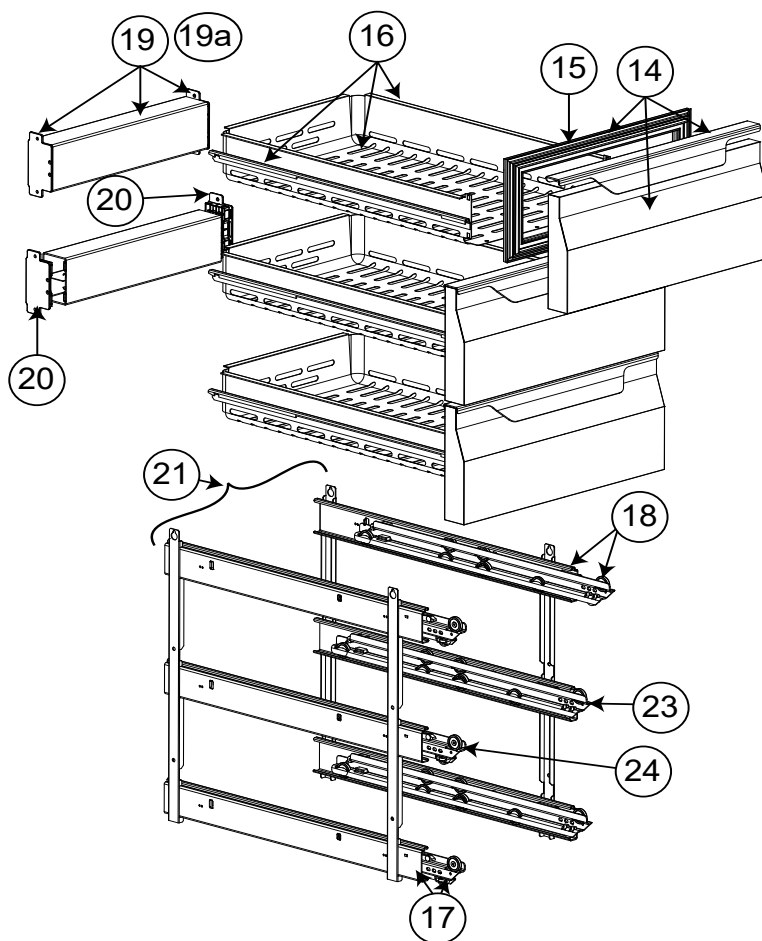
881R57701
881R77600

APX/ZAN H700 DRAW 1/3

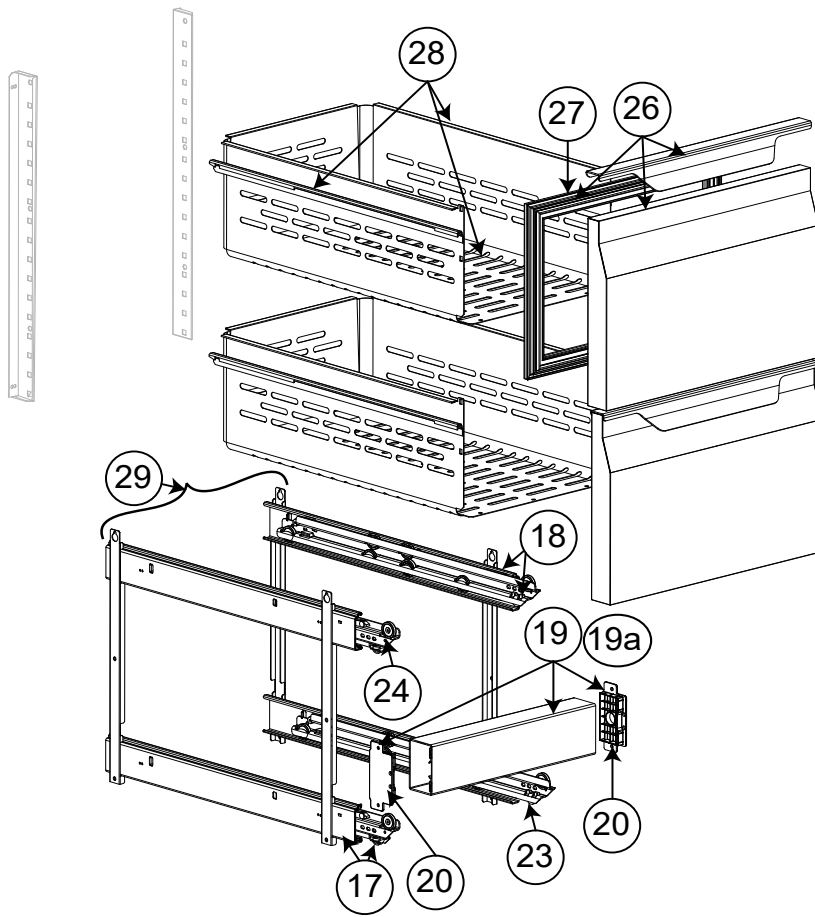


881R57001
881R77700

ELUX H700 DRAW. 1/3

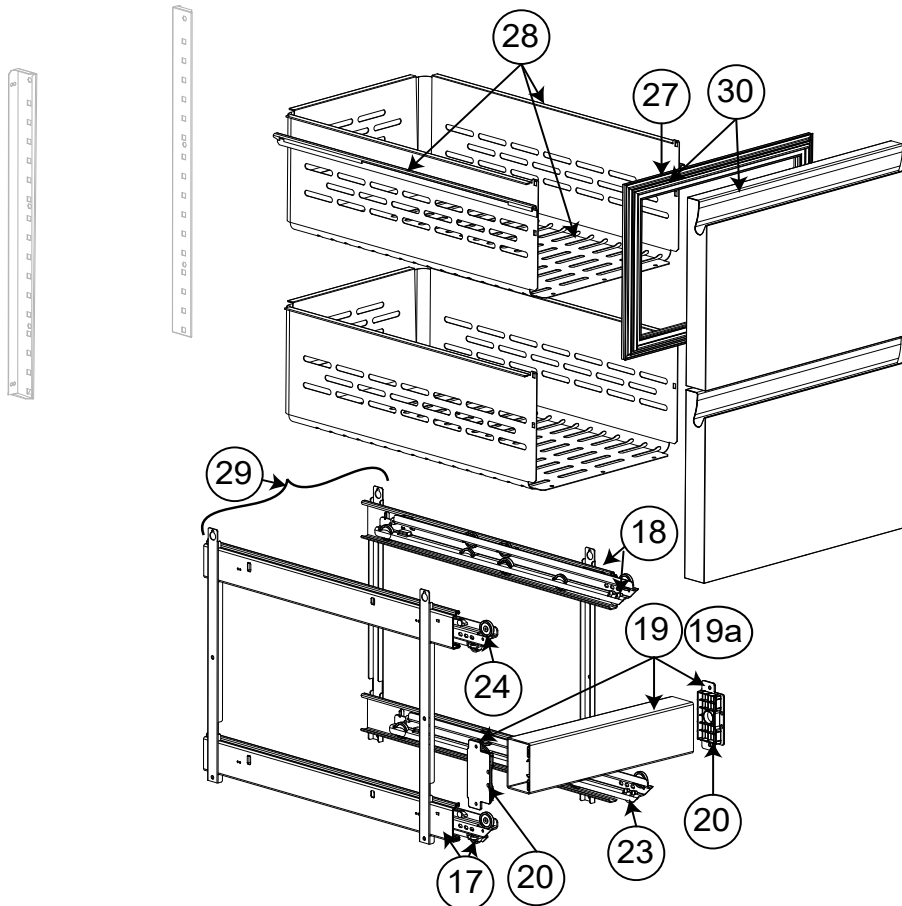


ELUX H700
DRAW. 1/2



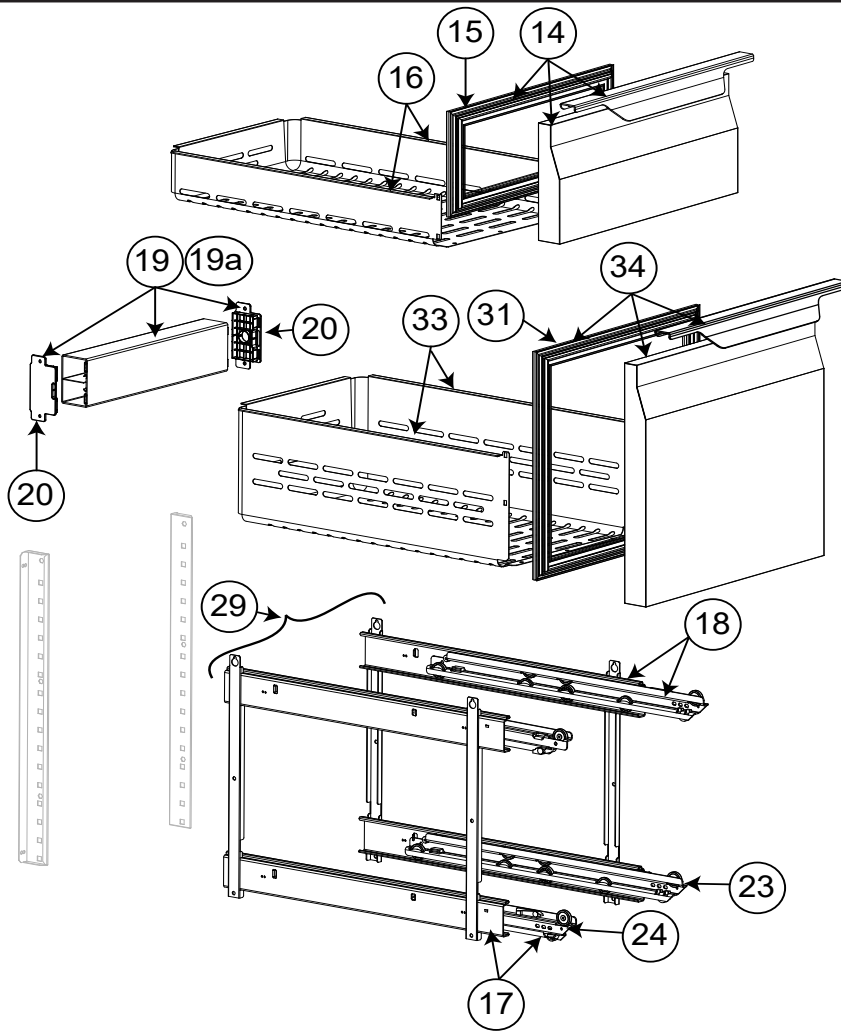
881R57501
881R77500

APX/ZAN H700
DRAW.1/2



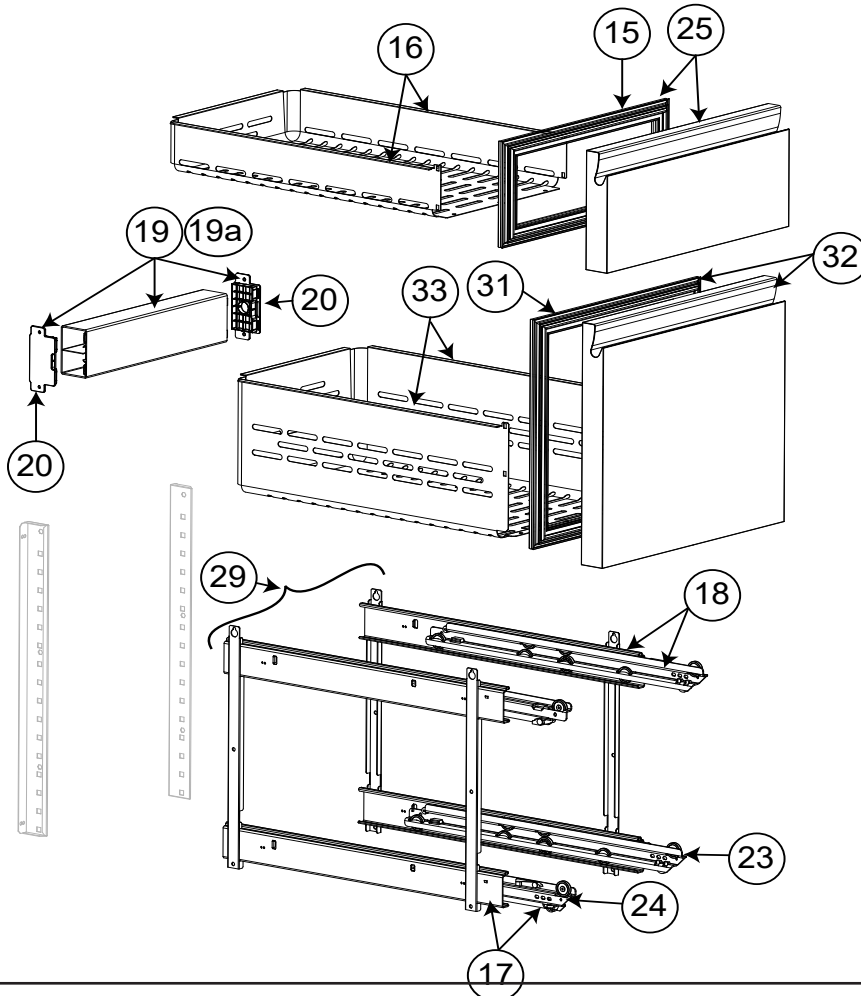
881R57801
881R77500

ELUX H700
BOTTLE DRAW.



881R70800

APX/ZAN H700
BOTTLE DRAW.



881R70700

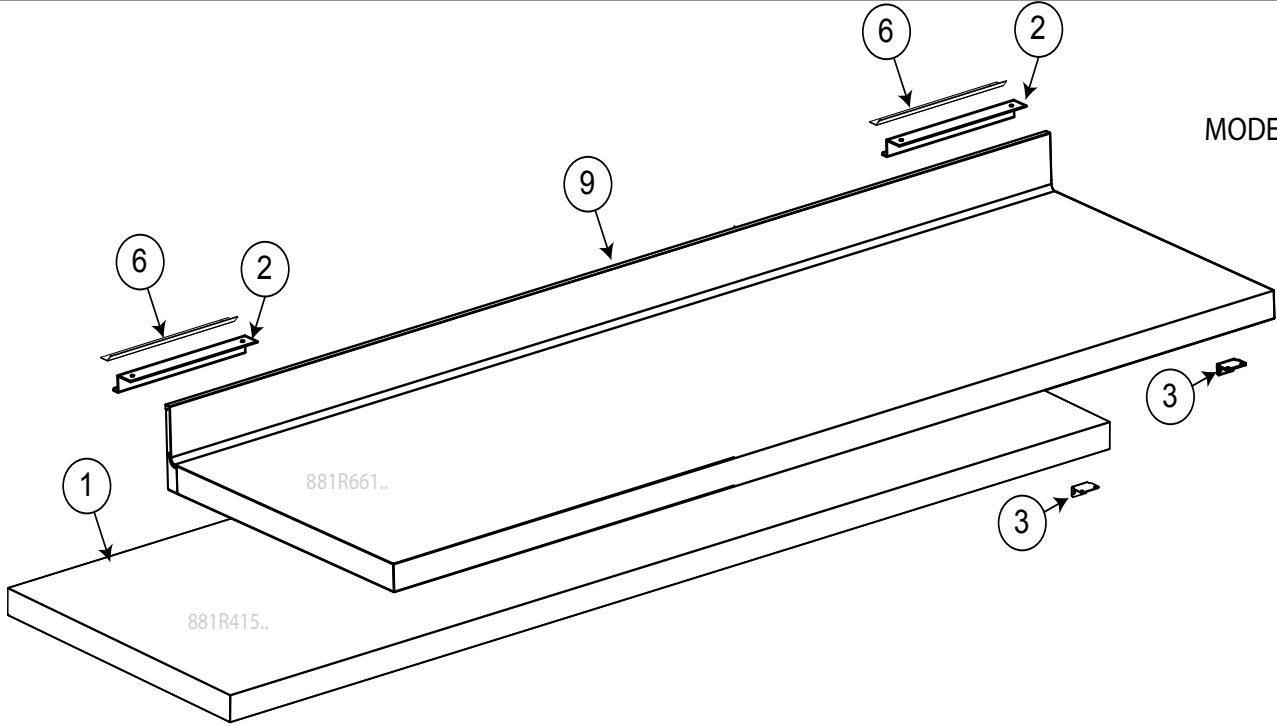
HORIZONTAL COUNTERS				ECOSTORE CL 700	
Pos	Code	Factory code	Description	Descrizione	Ref/notes

reference pag. 5-6-7

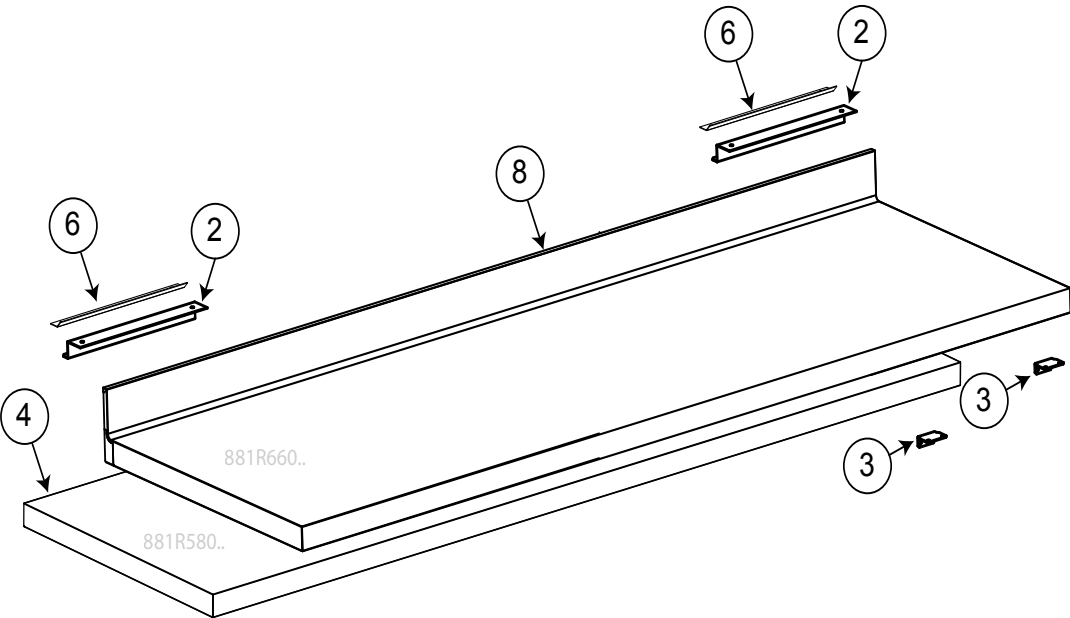
Doors and Drawers			Porta e Cassetti		
1	095802	835R52104	FOAMED D. ASSEMBLY H700 apx/zan	PORTA SCHIU. CON GUARNI.APX_ZAN	brand Apx_Zan
2	095238	548R11101	A886 MAGNETIC GASKET H700	GUARNIZIONE PORTA	
3	095227	503R09702	FRONT SUPPORT GRIDS H700	FRONTALE SUPPORTO GUIDE	
4	095228	502R84601	LEFT GUIDE FOR SHELF	GUIDA A "C" SX TAV NGC H700/H650	
5	095229	502R84701	RIGHT GUIDE FOR SHELF	GUIDA A "C" DX TAV NGC H700/H650	
6	095231	514R23500	SHELF	GRIGLIA RILSAN TAVOLO H650/H700	
7	095326	505R23702	LOWER HINGE H650/H700	CERNIERA INFERIORE	
8	095327	505R23803	UPPER HINGE H650/H700	CERNIERA SUPERIORE	
9	087667	514746701	PIN FOR DOOR	PERNO PER CERNIERA INFERIORE	
10	089146	800735200	DOOR OPENING END COURSE	PIASTRINA FERMO BATTUTA PORTA	
11	081807	549700000	DOOR BUSH	BOCCOLA X CERNIERA	
12	095511	835R51907	FOAMED DOOR ASSEMBLY H700 elux	PORTA CON GUARNIZIONE ELECTR.	brand: Elux
14	095512	835R53506	FOAMED DRAWERS 1/3 ELUX	ASS.CASS.1/3 SCHIUM. TAVOLO ELEC	brand: Elux (+GASKET)
15	095240	548R11801	GASKET DRAWER 1/3	GUARNIZ.CASS.1/3 TAV NGC H700	
16		833R36004	1/3 DRAW+GUIDES (WITHOUT FRONTAL)	ASS.INVOLUCRO CASSETTO+GUIDE	
17	095266	832R23200	LEFT SUPPORT DRAWERS 1/3	CARRELLO SX PER MOD.CASSETTI	
18	095267	832R23300	RIGHT SUPPORT DRAWERS 1/3	CARRELLO DX PER MOD.CASSETTI	
19	095365	875R33501	CROSSBEAM ASSEMBLY - DRAWERS	TRAVERSA CASSETTO 1/ E 1/2 TN	only refrigerated Up to 2019/13
19	096130	835R70800	CROSSBEAM ASSEMBLY - DRAWERS	TRAVERSA CASSETTO TN	only refrigerated From 2019/14
19a	095366	835R53802	FOAM PILLAR ASS. - DRAWERS	TRAVERSA CASSETTO 1/ E 1/2 BT	only freezer
20		543R18901	PLASTIC PILLAR PLUG RIGHT/LEFT	TAPPO TRAVERSA DX E SX	only refrigerated
21		833R37202	1/3 SUPPORT +GUIDE ASSEMBLY	SUPPORTO TELAIO DX E SX CASS.1/3	
23	095267	832R23300	RIGHT SLIDING GUIDE	GUIDA SCORREVOLE DX	
24	095266	832R23200	LEFT SLIDING GUIDE	GUIDA SCORREVOLE SX	
25	095554	835R54205	FOAMED FRONT DRAW. 1/3 APX/ZAN	ASS.CASS.1/3 SCHIUMATO	brand Apx_Zan (+GASKET)
26	095822	835R54106	FOAMED FRONT DRAW. 1/2 ELUX	ASS.CASS.1/2 SCHIUMATO ELEC	brand: Elux (+GASKET)
27	095239	548R11701	GASKET DRAWER 1/2	GUARNIZ.CASS.1/2 TAV NGC H700	
28	095814	833R35904	1/2 DRAW+GUIDES (WITHOUT FRONTAL)	INVOLUCRO CON GUIDE	
29		833R37302	1/2-2/3 SUPPORT +GUIDE ASSEMBLY	SUPP. TELAIO DX E SX CASS.1/2-2/3	
30	095556	835R54305	FOAMED FRONT DRAW. 1/2 APX_ZAN	ASS.CASS.1/2 SCHIUM. ZAN_APX	brand Apx_Zan (+GASKET)
31	095249	548R12500	GASKET DRAWER 2/3	GUARNIZ.CASS.2/3 TAV NGC H700	
32	095557	835R57704	2/3 FOAM. FRONT DRAW. ASS. ALPEN	ASS.CASS.2/3 SCHIUM. ZAN_APX	brand Apx_Zan (+GASKET)
33		833R38500	2/3 DRAW+GUIDES (WITHOUT FRONTAL)	ASS. INVOLUCRO CASS.+GUIDE 2/3	
34	095559	835R57505	2/3 FOAM.FRONT DRAW. ASS. ELUX	ASS.CASS.2/3 SCHIUM. TAVOLO ELUX	brand: Elux (+GASKET)
*	095300		INCLUDE N°23 AND N°24 (1RIGHT +1 LEFT)	INCLUDE N°23 E 24,(1+1 GUIDA DX-SX)	
36					

*= On demand

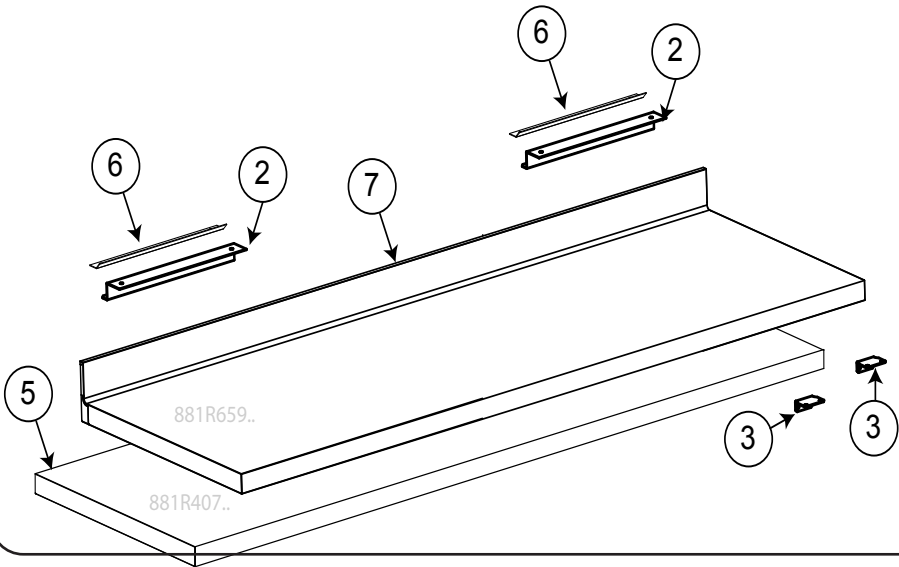
MODEL=H7FTN4R



MODEL=H7FTN3R



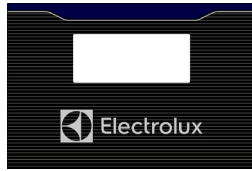
MODEL=H7FTN2R



Pos	Code	Factory code	Description	Descrizione	Ref/notes
reference pag.9					
			Worktop		Top
1		835R65901	WORKTOP MODULE 4C H50 "R-L"	TOP 4 VANI H 50 DX-SX	c (without S.back)
2		501775700	HOOK FOR TOP	GANCIO PER RIPIANO	
3	095330	505R25301	BRACKET SHELF	STAFFA PER RIPIANO	
4		835R65401	WORKTOP MODULE 3C H50 "R-L"	TOP 3 VANI H 50 DX-SX	b (without S.back)
5		835R65701	WORKTOP MODULE 2C H50 "R-L"	TOP 2 VANI H 50 DX-SX	a (without S.back)
6	093186	505751500	HOOK FOR TOP ON THE COUNTER	FISSAGGIO RIPIANO AL TAVOLO	
7		835R65801	WORKTOP ASS. WITH S.BACK 2C "R-L"	TOP CON ALZATINA 2 VANI DX-SX	a (whit S.back)
8		835R65601	WORKTOP ASSEMBLY 3C S/BACK "R-L"	TOP CON ALZATINA 3 VANI DX-SX	b (whit S.back)
9		835R66001	WORKTOP ASS. WITH S.BACK 4C "R-L"	TOP CON ALZATINA 4 VANI DX-SX	c (whit S.back)
10					
11					
12					
13					
14					
15					
16					
17					
18					
19					
20					
21					
22					
23					
24					



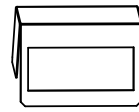
4



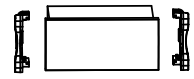
4a



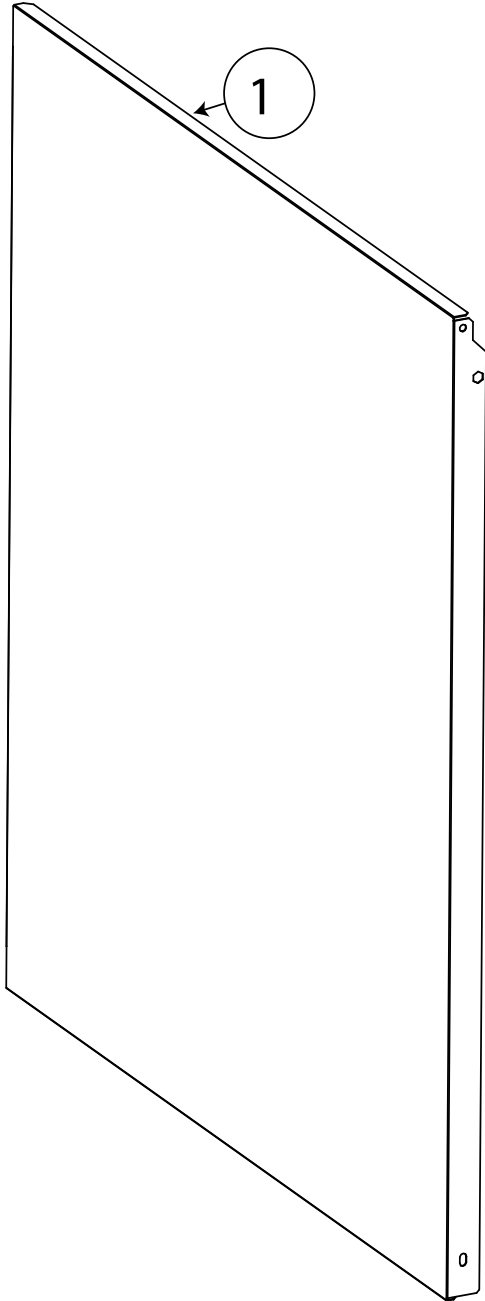
4b



3

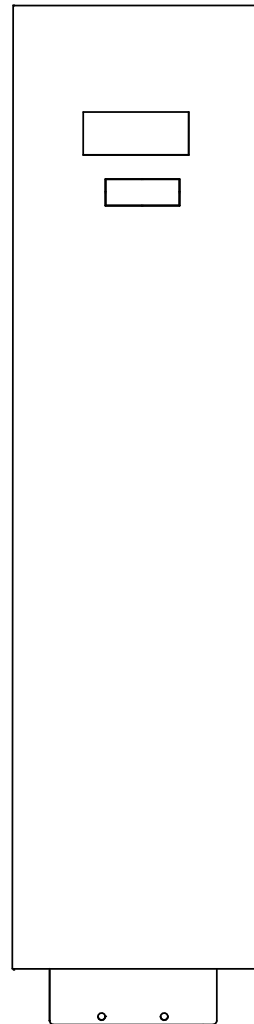


9



1

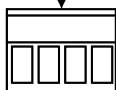
2



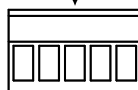
5



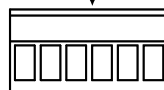
6



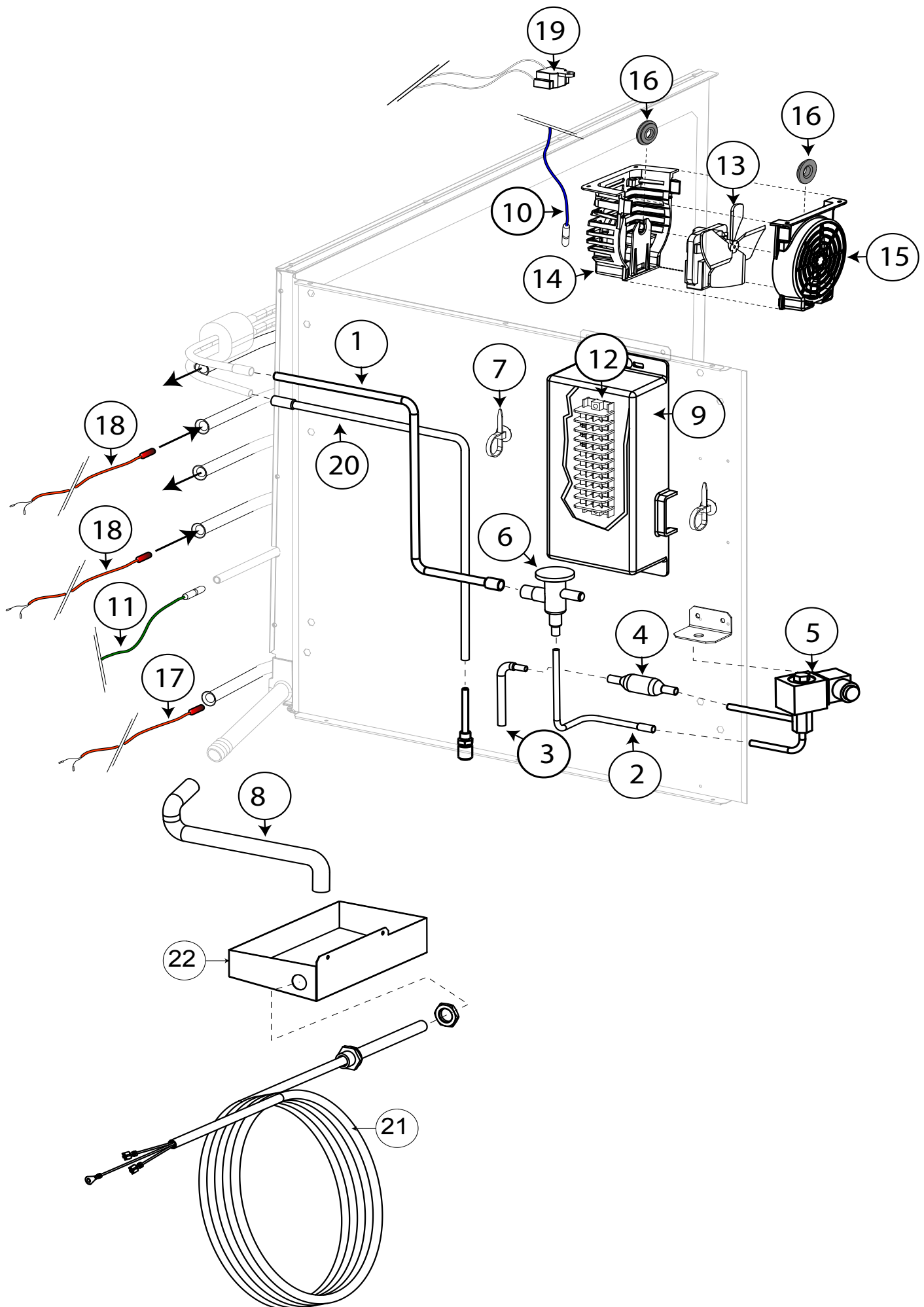
7



8



Pos	Code	Factory code	Description	Descrizione	Ref/notes
reference pag.11					
Control panel			Pannello di controllo		
1	095631	0503R62601	EXTERNAL SIDE PANEL CL H700	PANNELLO ESTERNO	
2	096455	0509R23500	CTRL PANEL IR33 "L" remote	PANNELLO CONTROLLO	
3		0503R49700	IR33 COVER COUNTERS C.L.	COPERTURA CONTROLLORE	
4	095616	0755R14800	ADHESIVE DECOR C.L APX rem	MASCHERINA SERIGRAFATA APX	ALPENINOX
4a	095617	0755R14901	ADHESIVE DECOR C.L ELUX rem	MASCHERINA SERIGRAFATA ELUX	ELECTROLUX
4b		0755R15000	ADHESIVE DECOR C.L ZAN rem	MASCHERINA SERIGRAFATA ZAN	ZANUSSI
5		0639722900	CONNECTOR MSTB 2.5/3 ST PASSO 5	CONETTORE PASS.5 MSTB 2.5/3 ST	
6	091682	0639R04400	CONNECTOR MSTB 2.5/4 ST PASSO 5	CONETTORE PASS.5 MSTB 2.5/4 ST	
7	*	0639704500	CONNECTOR MSTB 2.5/5 ST PASSO 5	CONETTORE PASS.5 MSTB 2.5/5 ST	
8	095244	0639723400	CONNECTOR MSTB 2.5/6 ST PASSO 5	CONETTORE PASS.5 MSTB 2.5/6 ST	
9	093434	646R11101	TERMOREGOLAT. IR33 IMEL1J0559	CONTROLLORE IR33	4 relays - Up to 2023/16 order KIT 097750, see TB VTX2023_08
9	097579	855R18401	TERMOREGOLAT. IJF SMALL	CONTROLLORE IJF SMALL	From 2023/17
10					
11					
12					
13					
14					
15					
16					
17					
18					
19					
20					
21					
22					
23					
24					



Pos	Code	Factory code	Description	Descrizione	Ref/notes
Pag. 13					
Cooling unit 2-3-4 comp. refrigerated			Gruppo 2-3-4 vani refrigerato		
1		0515R37100	PIPE FROM TERM. VALVE TO EVAP.	TUBO DA VAL. TERM. A EVAP.	
2		0515R34500	PIPE FROM TERM VALVE TO S. VALVE	TUBO DA VAL. TER.A VALVOLA SOLE.	
3		0515R20000	INLET PIPE FROM SOLENOID VALVE	TUBO INGRESSO VALVOLA SOLEN.	
4	090229	0525719000	MECCANICAL FLTER	FILTRO MECCANICO A RETINA	
5	087694	0646735000	BODY SOLENOID VALVE	CORPO VALV.SOLENOIDE	
5a	085847	0646729100	COIL WITHOUT CONNECTION	BOBINA PARKER	Up to 2020/26
5a	095063	0646R14000	COIL WITHOUT CONNECTION	BOBINA PARKER	From 2020/27
6	087333	0646740901	EXPANSION VALVE GAS R134A	VALVOLA TERM. GAS R134A	R134a
6		0646R16000	EXPANSION VALVE GAS R448A	VALVOLA TERM. GAS R448A	R448A,R449A,R407C,R407A
6	088501	0646751900	EXPANSION VALVE GAS R404a	VALVOLA TERM. GAS R404a	R404A,R452A,R407F,R422A
*	089614	0565717600	INSULATION EXPANSION VALVE	ISOLANTE X VALVOLA TERMOST.	
7	0C3523	0639803900	STRIP	FASCETTA STRINGICAVO	
8	095458	0544R07300	DISCHARGE PIPE	SIFONE SCARICO ACQUA SX	
9		0549727400	PROTECTION ELECTRICAL BOX	SCATOLA PROT. IMPIANTO ELETTRI.	
10	092175	0646R06900	NTC PROBE 6X20 BLU 'CELL'	SONDA CELLA	
11	096125	0646R07701	NTC PROBE 6X40 VERDE	SONDA EVAPORATORE	
12	093599	0639R10000	CLAMP	MORSETTIERA	
13	093037	682721102	CELL FAN	VENTILATORE CELLA	
14		0546R39202	FAN SUPPORT	SUPPORTO VENTILATORE	
15		0546R39101	FAN COVER	PROTEZIONE VENTILATORE	
16	0A8719	0541706000	FAN RUBBER	GOMMINI PER VENT	
17	095621	0617R23800	DISCHARGE WARM CABLE	CAVO RISCALDANTE SCARICO	a
17	095620	0617R23700	DISCHARGE WARM CABLE	CAVO RISCALDANTE SCARICO	b
17	095619	0617R23600	DISCHARGE WARM CABLE	CAVO RISCALDANTE SCARICO	c
18	095624	0617R24100	DEFROST WARM CABLE	CAVO RISCALDANTE SCHIENALE	a
18	095623	0617R24000	DEFROST WARM CABLE	CAVO RISCALDANTE SCHIENALE	b
18	095622	0617R23900	DEFROST WARM CABLE	CAVO RISCALDANTE SCHIENALE	c
19	0A9671	0648718900	ELTH THERMOSTAT	TERMOSTATO ELTH +40/+30	
20		0515R37200	OUT PIPE EVAPORATOR	EVAPORATOR FLOW BACK PIPE	
21	083814	0617R03800	PTC	CARTUCCIA AUTOREGOLANTE PTC	
22	091356	0512701800	EVAPORATOR WATER BASIN	BACINELLA DI EVAP	
23					
24					
25					
26					